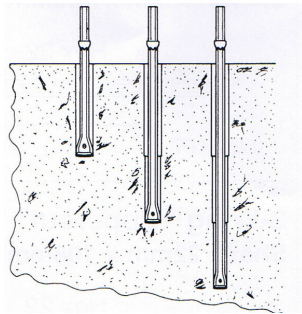


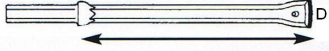
Integral Drill Steel.

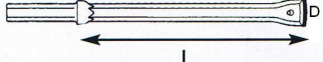
Integral Drill Steel are produced from 19mm (3/4''), 22mm (7/8'') or 25mm (1'') hexagon drill steel.

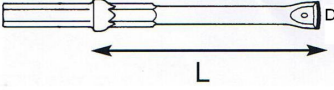
Our company produces all lengths from 200mm up to 11200mm, and diameters from 13-45mm.

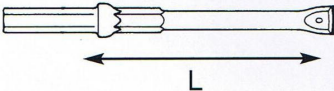
Below you will find the most used lengths and diameters, for questions regarding other lengths please contact us.

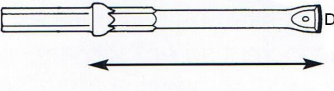


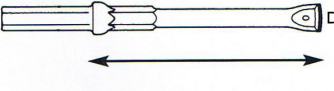
19mm Hexagon	Series	Length (L) mm	Diameter (D)	Part Number
Shank 19mm x 108mm Hex 19 	21	400	29	724 0429
		800	28	724 0828
		1200	27	724 1227
		1600	27	724 1627
		2400	26	724 2426
		3200	25	724 3225
		4000	24	724 4024
	22	400	26	724 0426
		800	25	724 0825
		1200	24	724 1224

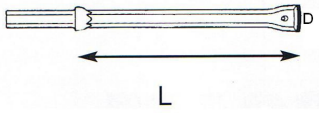
19mm Hexagon	Series	Length (L) mm	Diameter (D)	Part Number
Shank 22mm x 108mm Hex 19 		400	29	728 0429
		800	28	728 0828
		1200	27	728 1227
		1600	27	728 1627
		2400	26	728 2426
		3200	25	728 3225
		4000	24	728 4023
		400	26	728 0426
		800	25	728 0825
		1200	24	728 1224

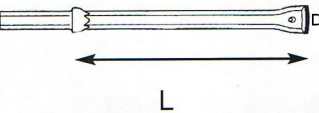
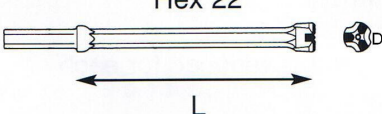
19mm Hexagon	Series	Length (L) mm	Diameter (D)	Part Number
Plug Hole Drills Shank 19mm x 108mm Hex 19 		200	17	721 2017
		250	17	721 2517
		300	17	721 3017
		200	20	721 2020
		250	20	721 2520
		300	20	721 3020
		200	22	721 2022
		250	22	721 2522
		300	22	721 3022

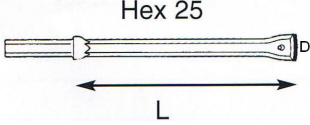
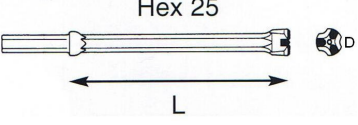
19mm Hexagon	Series	Length (L) mm	Diameter (D)	Part Number
Plug Hole Drills Shank 19mm x 82.5mm Hex 19 		200	17	722 2017
		250	17	722 2517
		300	17	722 3017
		200	20	722 2020
		250	20	722 2520
		300	20	722 3020
		200	22	722 2022
		250	22	722 2522
		300	22	722 3022

19mm Hexagon	Series	Length (L) mm	Diameter (D)	Part Number
Plug Hole Drills Shank 22mm x 108mm Hex 19 		200	17	711 2017
		250	17	711 2517
		300	17	711 3017
		200	20	711 2020
		250	20	711 2520
		300	20	711 3020
		200	22	711 2022
		250	22	711 2522
		300	22	711 3022

19mm Hexagon	Series	Length (L) mm	Diameter (D)	Part Number
Plug Hole Drills Shank 22mm x 82.5mm Hex 19 		200	17	712 2017
		250	17	712 2517
		300	17	712 3017
		200	20	712 2020
		250	20	712 2520
		300	20	712 3020
		200	22	712 2022
		250	22	712 2522
		300	22	712 3022

22mm Hexagon	Series	Length (L) mm	Diameter (D)	Part Number
<p>Shank 22mm x 108mm</p> <p>Hex 22</p> 	11	800	34	714 0834
		1600	33	714 1633
		2400	32	714 2432
		3200	31	714 3231
		4000	30	714 4030
		4800	29	714 4829
		5600	28	714 5628
		6400	27	714 6427
	7200	26	714 7226	
	12	800	40	714 0840
		1600	39	714 1639
		2400	38	714 2438
		3200	37	714 3237
		4000	36	714 4036
		4800	35	714 4835
		5600	34	714 5634
		6400	33	714 6433
		7200	32	714 7232
		8000	31	714 8031
		8800	30	714 8830
9600		29	714 9629	

22mm Hexagon	Series	Length (L) mm	Diameter (D)	Part Number
<p>Shank 22mm x 108mm</p> <p>Hex 22</p> 	13	400	34	714 0434
		800	33	714 0833
		1200	32	714 1232
		1600	31	714 1631
		2000	30	714 2030
<p>3-Wing "Uppercut"</p> <p>Shank 22mm x 108mm</p> <p>Hex 22</p> 		3200	38	761 3238
		4000	38	761 4038
		4800	35	761 4835

25mm Hexagon Shank 25mm x 159mm	Series	Length (L) mm	Diameter (D)	Part Number
		1600	41	737 1641
		2400	40	737 2440
		3200	39	737 3239
		4000	39	737 4039
		4800	38	7374838
		3200	38	767 3238
		4000	37	767 4037
		4800	35	767 4835